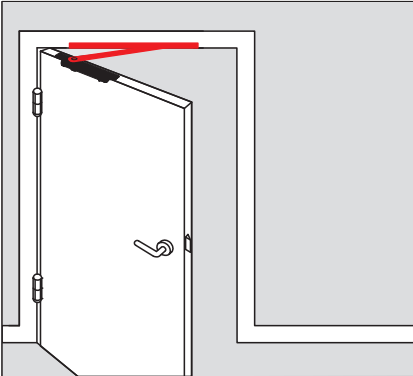
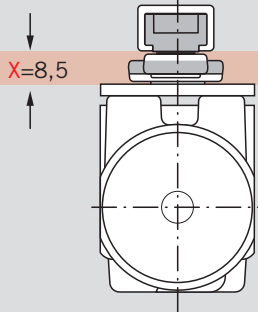
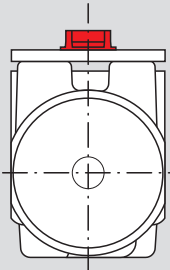


WN 058219 45532  
04/12

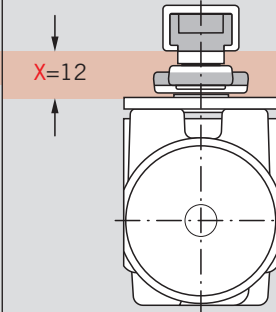


G 96 N20  
DIN L 52 00 37 01  
DIN R 52 00 38 01

ITS 96  
EN 2-4 52 40 01 50  
EN 3-6 52 25 01 50  
ITS 96 FL  
EN 3-6 52 63 01 50

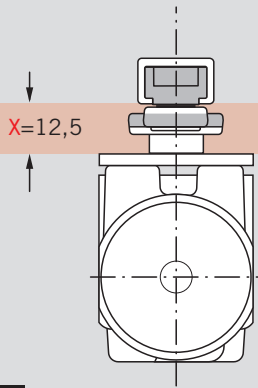
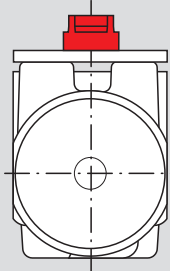


A

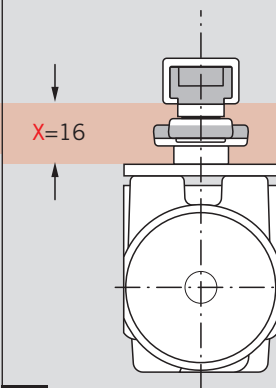


B

ITS 96  
EN 2-4 52 41 01 50  
EN 3-6 52 26 01 50  
ITS 96 FL  
EN 3-6 52 64 01 50

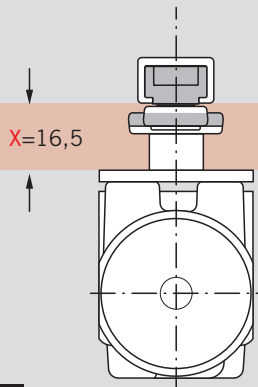
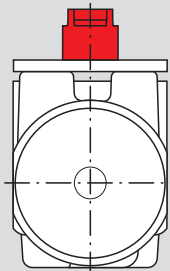


C

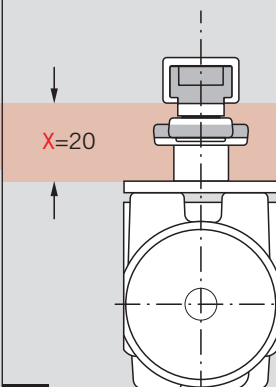


D

ITS 96  
EN 2-4 52 42 01 50  
EN 3-6 52 27 01 50  
ITS 96 FL  
EN 3-6 52 65 01 50



E



F

ITS 96 FL

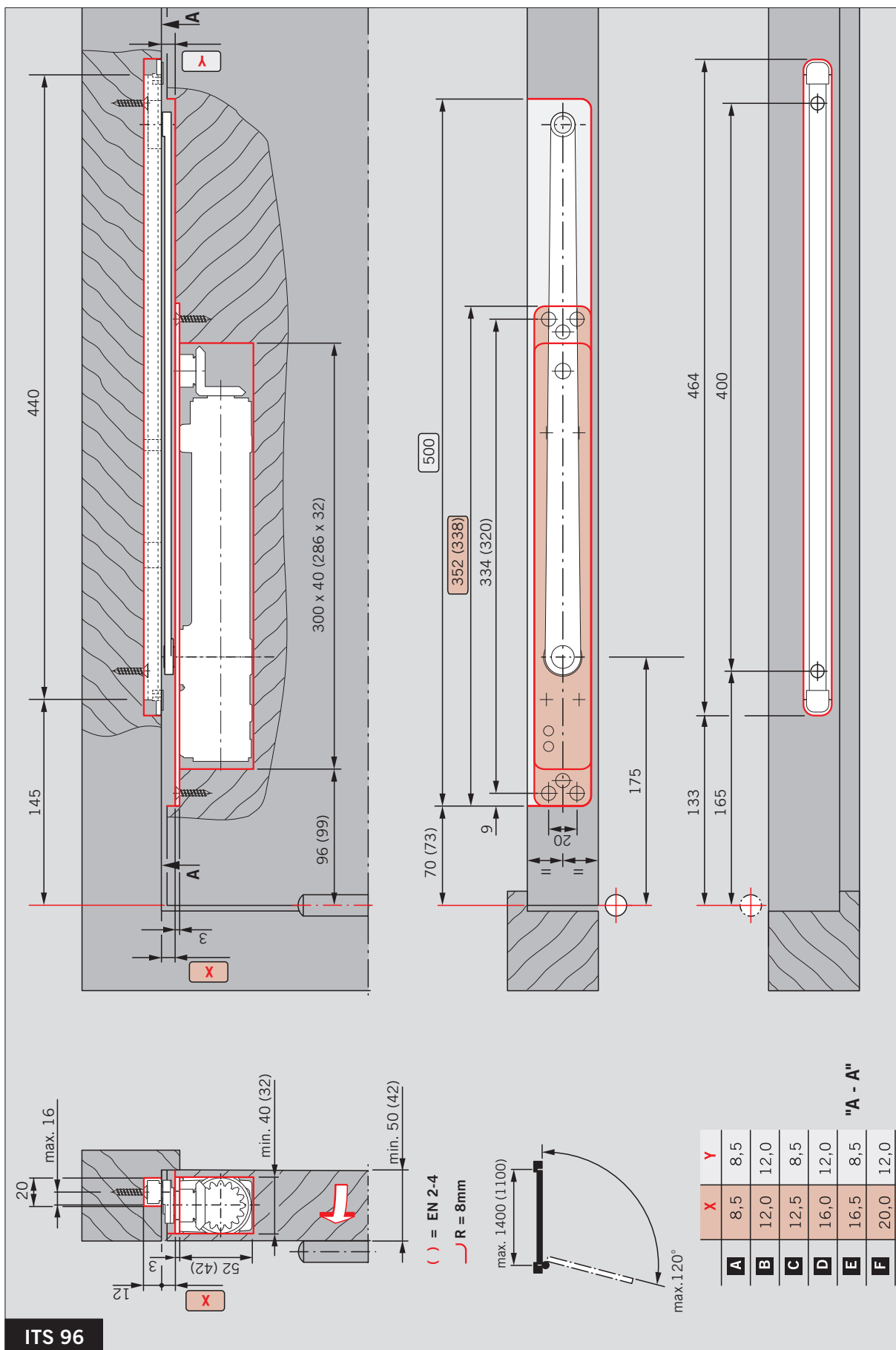
|               |                                   |     |     |       |
|---------------|-----------------------------------|-----|-----|-------|
| CE            | DORMA GmbH + Co. KG               |     | 12  |       |
|               | Postfach 4009<br>58 247 Ennepetal |     |     |       |
| 0432-CPD-0037 | EN 1154:1996+A1:2002              | 3 8 | 3 8 | 1 1 4 |
|               | EN 1155:1997+A1:2002              | 3 8 | 3 8 | 1 1 4 |

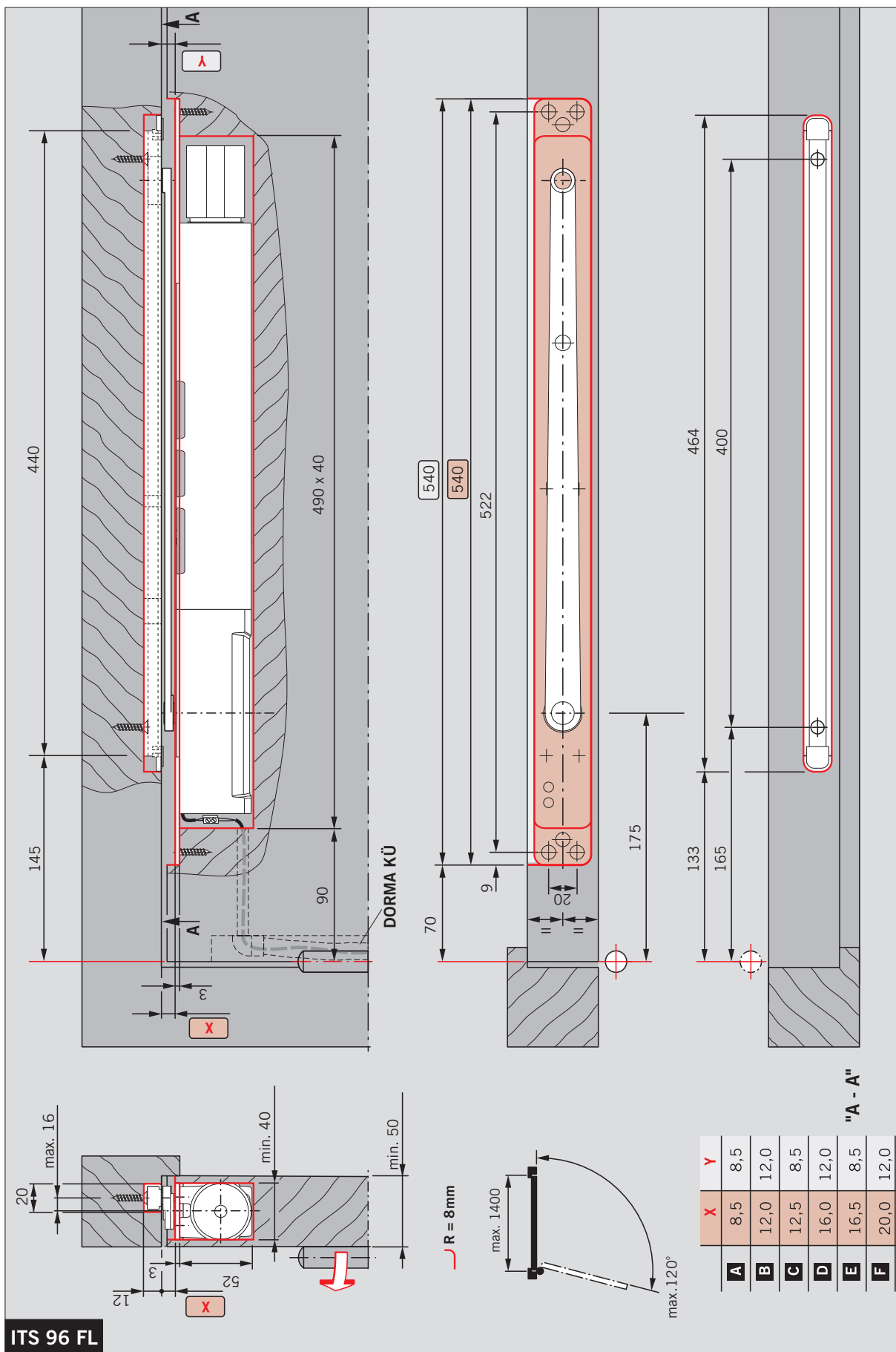
Dangerous substances: None

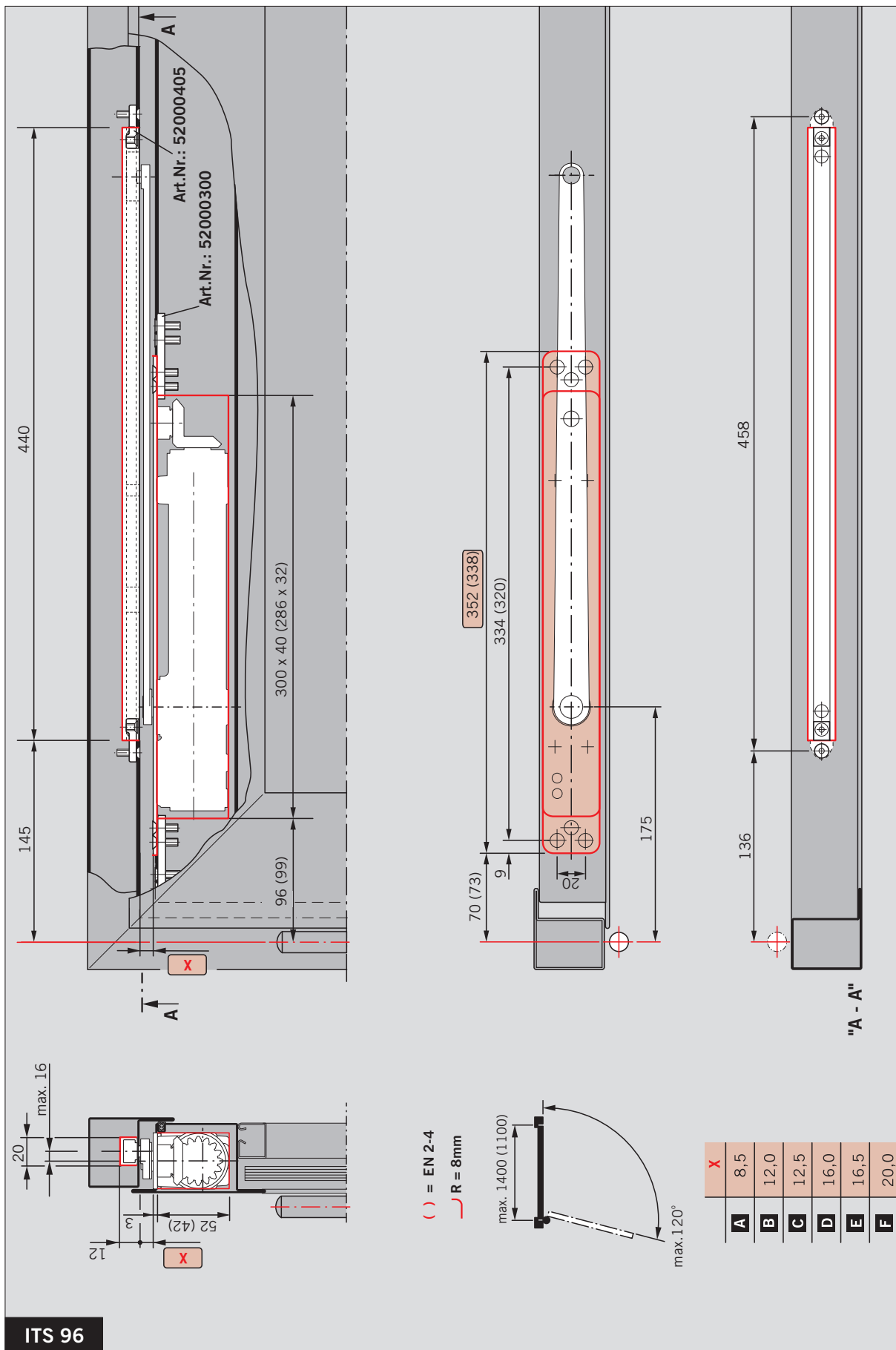
ITS 96

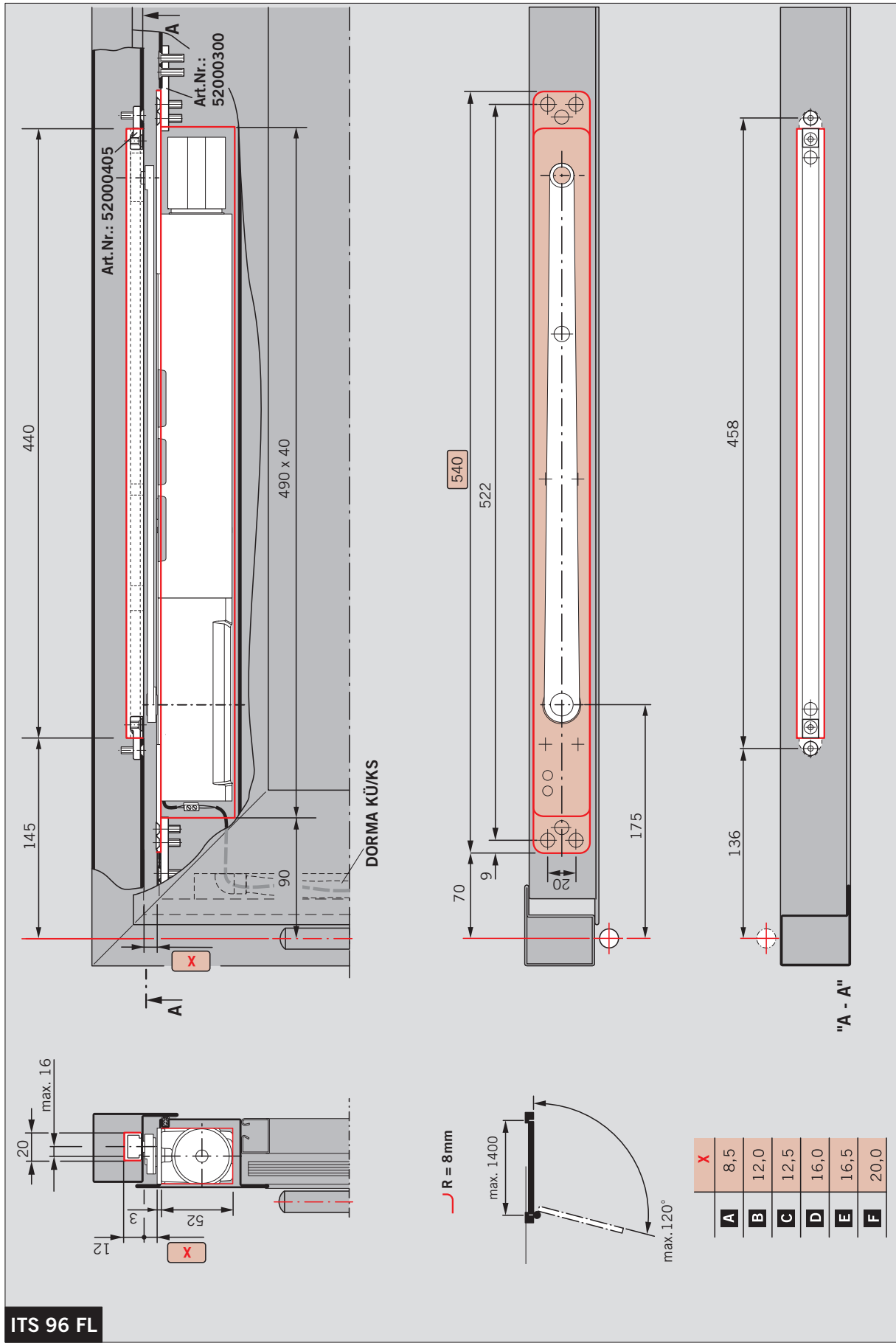
|               |                                   |     |     |       |
|---------------|-----------------------------------|-----|-----|-------|
| CE            | DORMA GmbH + Co. KG               |     | 04  |       |
|               | Postfach 4009<br>58 247 Ennepetal |     |     |       |
| 0432-BPR-0009 | EN 1154:1996+A1:2002              | 3 8 | 2-4 | 1 1 4 |
|               |                                   | 3 8 | 3-6 | 1 1 4 |

Dangerous substances: None



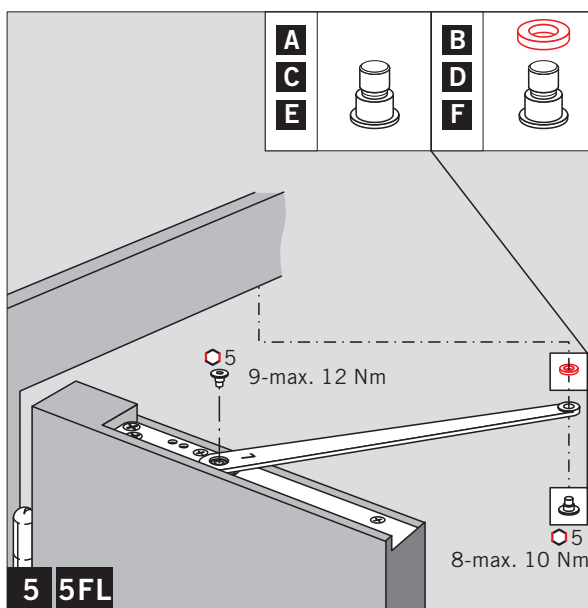
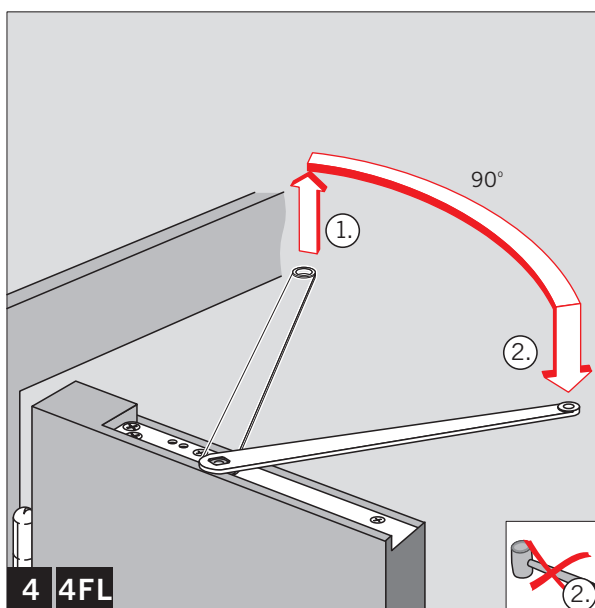
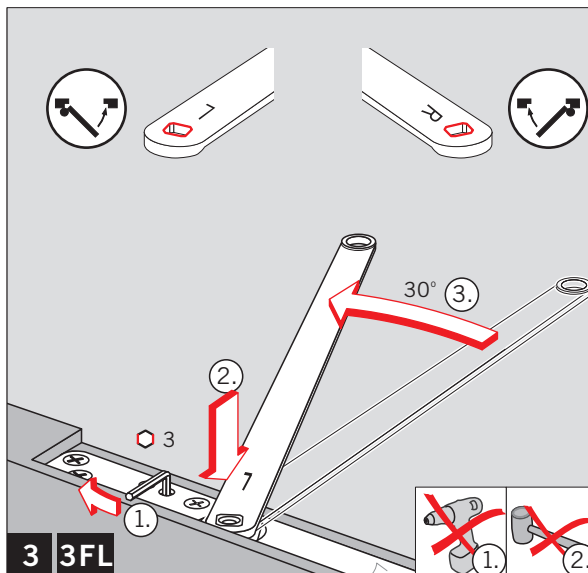
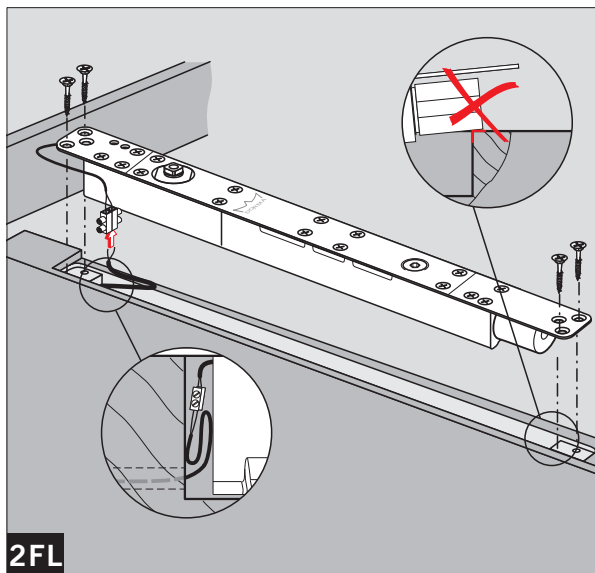
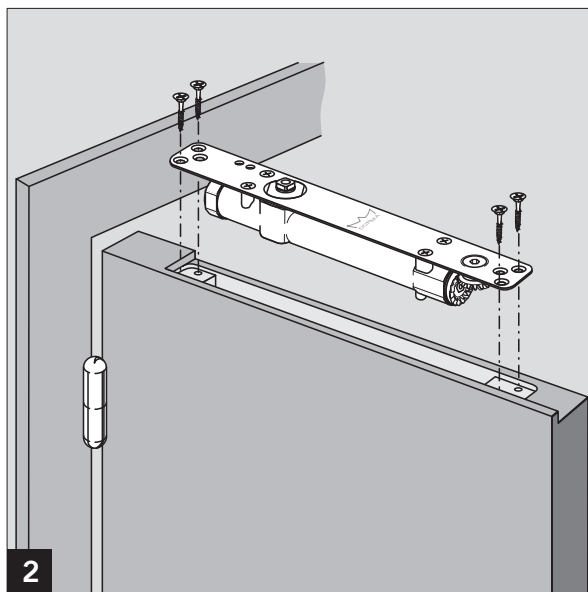
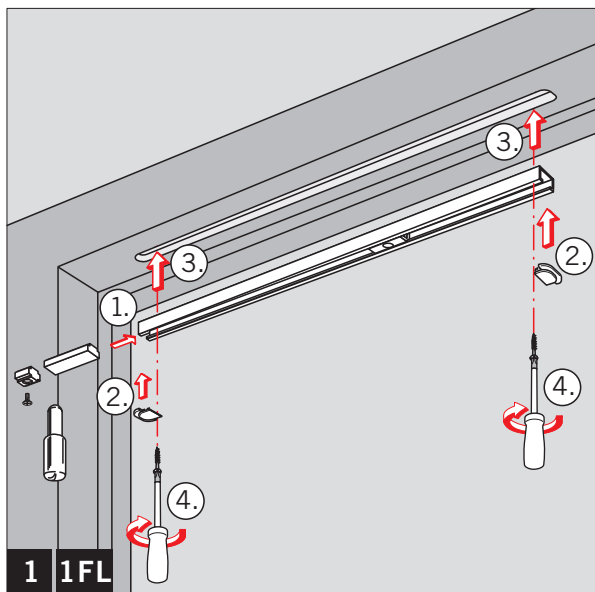


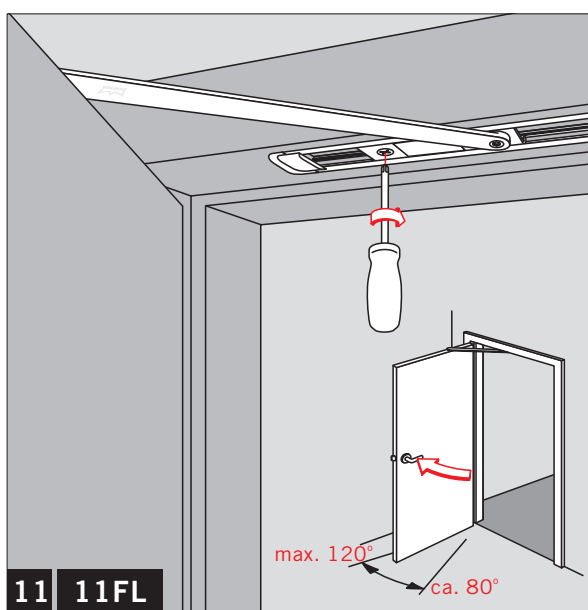
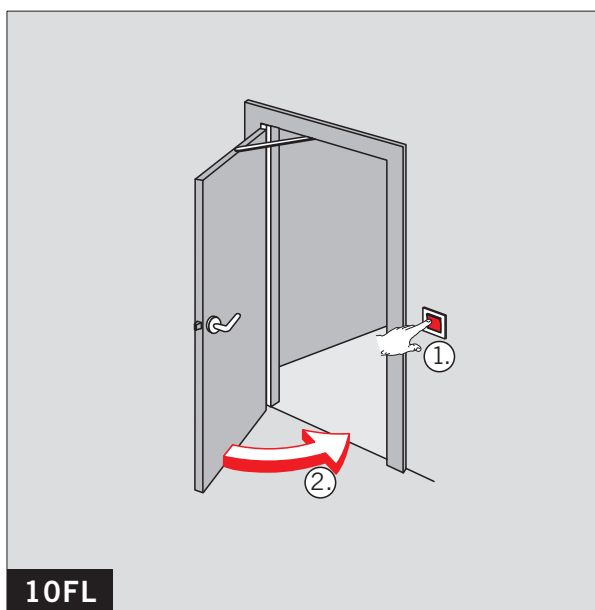
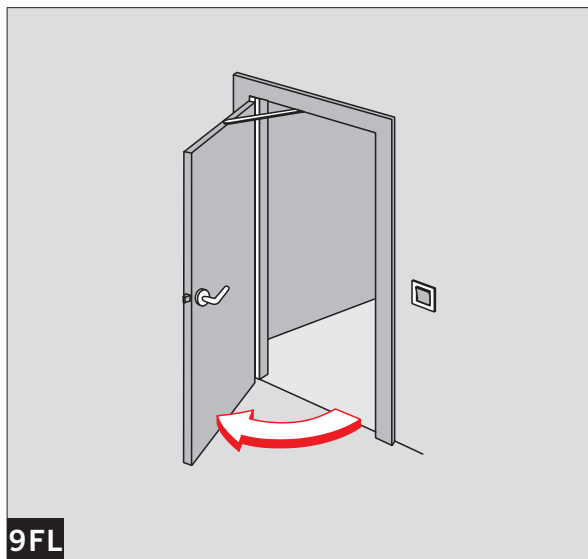
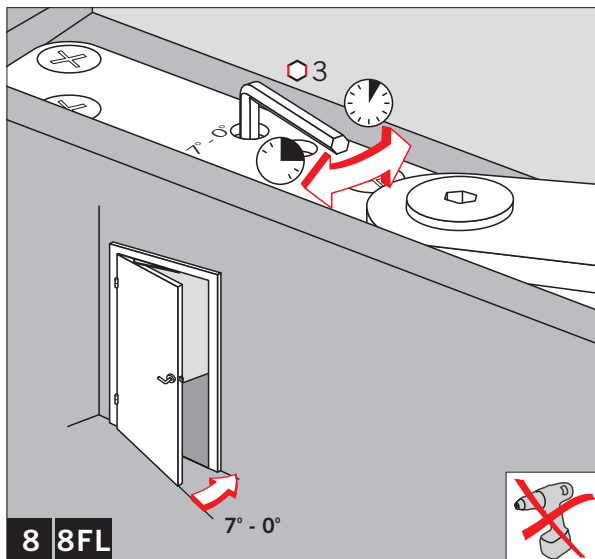
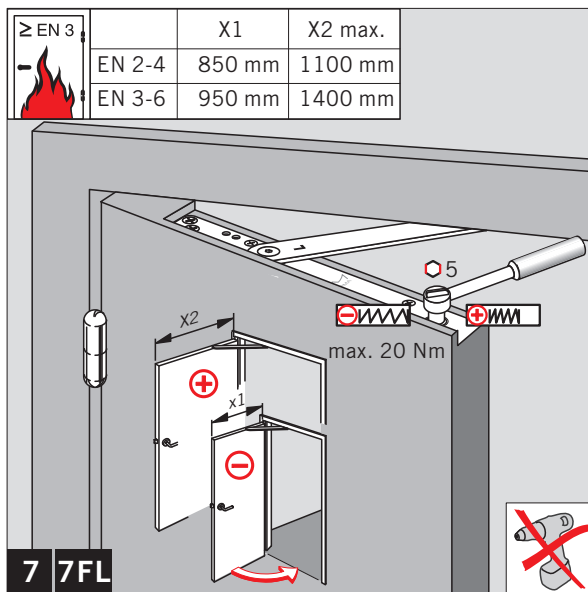
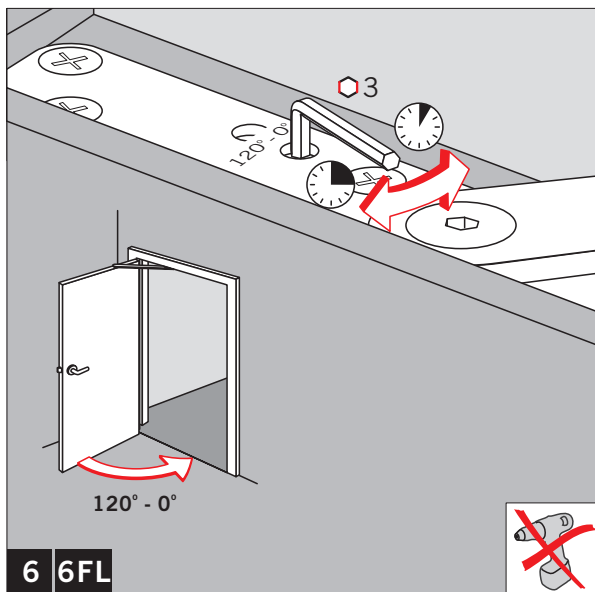




ITS 96 FL

|          |      |
|----------|------|
| <b>X</b> | 8,5  |
| <b>A</b> | 12,0 |
| <b>B</b> | 12,5 |
| <b>C</b> | 16,0 |
| <b>D</b> | 16,5 |
| <b>E</b> | 20,0 |





DORMA

ITS 96/ITS 96 FL  
+ G 96 N 20



Änderungen vorbehalten  
Subject to change without notice